

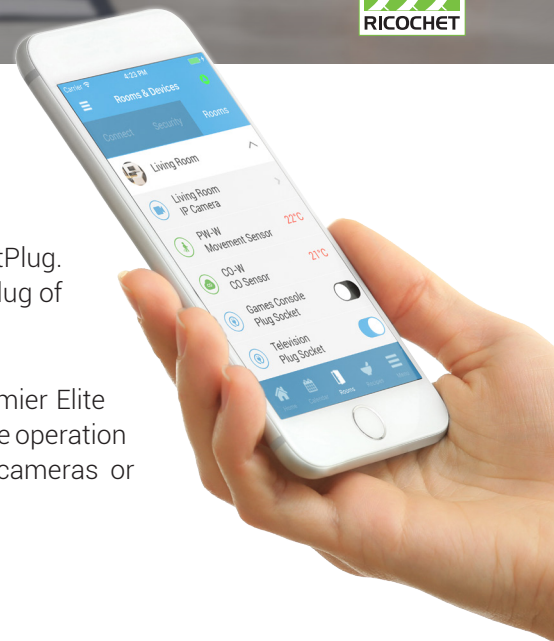
Texecom Connect SmartPlug



Take control over your powered devices

Control any mains-powered device remotely with the Texecom Connect SmartPlug. This *Ricochet*® enabled wireless plug sits between a wall socket and the power plug of a device, and is controlled via the Texecom Connect App.

Texecom Connect integrates with Texecom's flagship security systems, the Premier Elite Series, to allow you to take direct control of your home and your security. Control the operation of your security system, receive notifications of system events and monitor cameras or activity from anywhere in the world.



Connect **your** life to your
home and your **security**



Connect your life to your home and your security

The Timeline

Central to the Texecom Connect App experience is the timeline. Both past and programmed events are clearly presented, giving the user instant access to review events that have transpired.



Calendar

- See all the events of the day
- Arranged by system status
- Go back and review previous days
- View stored video linked from the calendar or watch a live video stream



Rooms & Devices

Devices are allocated to rooms within the Texecom Connect App, which makes locating devices and creating home automation recipes from multiple devices in a room easy and intuitive.



Recipes



Recipes are a user-friendly way of describing the programming actions that are used for automation. The Texecom Connect App is programmed on the basis of cause and effect.

Texecom Connect SmartCom

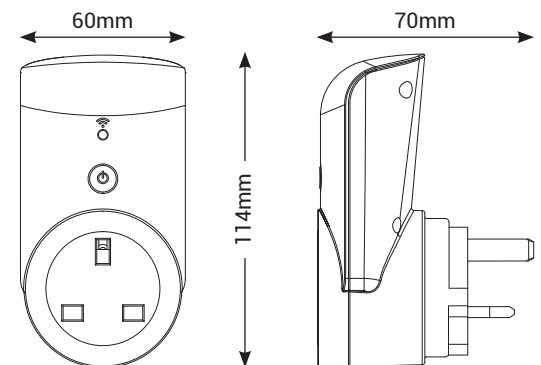
The Texecom Connect SmartCom is an ethernet communicator that facilitates the Texecom Connect experience by connecting any Premier Elite control panel to a local area network.



Standards & Specifications

	UK	EU
Mode/Type No	GFAA1100	GFAA1200
Part Number	GFA-0001	GFA-0002
Operating Voltage	230V ac	
Frequency	50 Hz	
Max Current	13A	16A
SmartPlug Type	IEC Type G	IEC Type E/F
Working Temp	0 - 40°C	
Storage Temperature	0-70°C	
Working Humidity	10-70% RH	
Storage Humidity	10-80% RH	
Standards	EN 61058-1, BS 5733A & BS 1363-3	EN 61058-1, DIN VDE 0620-1/2-1
EMC	ETSI EN 301-489-3	
R&TTE	ETSI EN 300-220-2	
Frequency Band	868.2 to 868.6 MHz	
Transmitter Duty Cycle	868Mhz <1%	
Receiver	Category 1, Class 2 Max RF Power: 10mW	
Receiver LBT (Listen BeforeTalk)	Yes	

Dimensions & Weight



150g approx.